

Goulds VRS

Vertical Rubber-Lined Cantilever Pumps
Designed for Abrasive and Slurry Services



VRS

Vertical Cantilever Pumps Designed for Abrasive and Slurry Services

- Sizes: 38, 50, 75, 125 and 150 mm (1.5, 2, 3, 5 and 6 inch)
- Flows to 341 m³/h (1,500 GPM)
- Heads to 37 m (120 feet)
- Solids to 6 mm (¼ inch)
- Pressures to 862 kPa (125 psi)
- Available in 1.2 m (4-foot) and 1.8m (6 ft) lengths

Design Features

Maximum Interchangeability

- Wet ends are completely interchangeable with horizontal Model SRL to ease maintenance and reduce inventory

Large-diameter impellers

- Develop higher heads at lower RPMs for improved wear
- Open design ideal for sump service
- Available in a variety of elastomers to suit your application

Field-replaceable elastomer liners

Design for lower operating costs

Heavy-duty bearing frame for reliable performance

Large-diameter shaft for low deflection



Services

- Mineral processing
- Non-metallic mining
- Sand and gravel
- Power utility
- Pulp and paper
- General industry

Model SRL



The Goulds Model VRS builds on almost a century of cantilever and rubber-lined pump design experience. The VRS is designed using the proven reliability of the SRL and Goulds cantilever pumps. By using the existing SRL wet-end components along with a rugged

power end and shaft design, the VRS offers higher efficiencies, with maximum reliability and interchangeability. Offered in standard lengths and a wide variety of elastomers, the VRS provides the right pump for the application along with years of dependable service, even under the worst operating conditions.

Standard Features

- Motor mount and V-belt guard provided as standard
- Integral mounting plate
- 1.2 m (4-foot) and 1.8 m (6-foot) setting
- Field-replaceable liners*

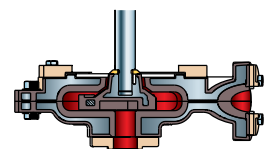
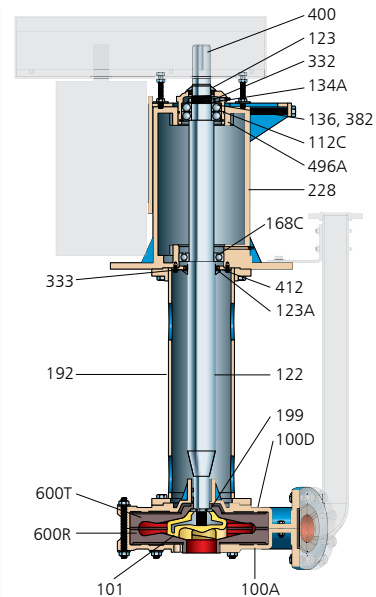
*Not available on the 1.5" pump

Optional Features

- Discharge pipe
- Tailpipes for non-standard lengths
- Strainer
- High motor mount arrangement
- Metal impellers
- Range of elastomers

Parts List and Materials of Construction

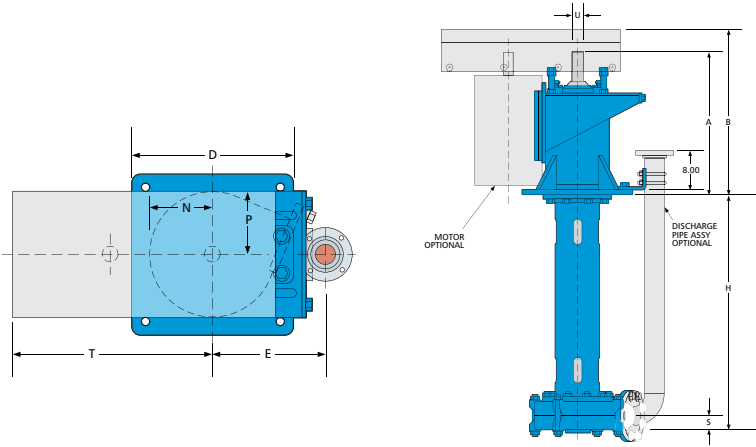
Item No.	Part Name
100A	Suction Half Casing
100D	Gland Half Casing
101	Impeller (Elastomer)
112C	Thrust Bearing
122	Shaft
123	Outboard Deflector
123A	Inboard Deflector
134A	Thrust Housing
136	Bearing Locknut
168C	Radial Bearing
192	Column Pipe
199	Shaft Washer
228	Frame
332	Outboard Seal
333	Inboard Seal
382	Bearing Lockwasher
400	Shaft Key
412	O-Ring
469A	O-Ring
600R	Suction Liner (Elastomer)
600T	Gland Liner (Elastomer)



1.5x1.5-8 Wet End

Dimensions

All dimensions in mm (in inches). Not to be used for construction

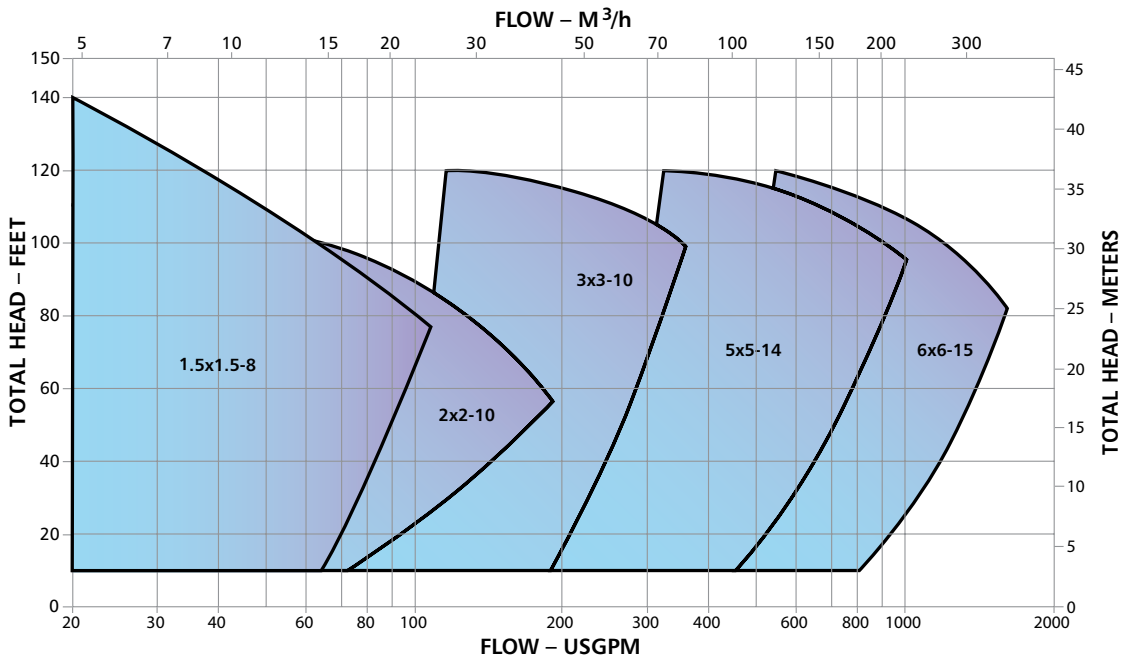


Size	Pump Model	Setting	Frame	A	B	D	E	H	N	P	S	T	U	Weight* lbs. (kg)
1.5x1.5-8	1.5VRSRV2	1.2m 4 ft.	V2	21.80	26.63	19.00	14.49	47.80	8.00	8.10	2.53	23.82	1.625	615 (280)
2x2-10	2VRS4V2		V2	21.81	26.63	19.00	13.20	48.00	8.36	8.58	2.31	23.82	1.625	660 (300)
3x3-10	3VRS4V3		V3	28.74	33.50	22.00	15.56	48.00	9.64	9.85	3.06	27.57	2.250	1,000 (455)
5x5-14	5VRS4V3		V4	36.68	41.50	30.00	21.80	46.90	13.87	13.42	3.88	33.76	2.875	1,850 (841)
6x6-15	6VRS4V4		V4	36.68	41.50	30.00	25.09	49.10	15.36	14.97	5.13	33.76	2.875	2,200 (1,000)
2x2-10	2VRS6V3	1.8m 6 ft.	V3	28.74	33.50	22.00	15.02	72.00	8.21	8.40	2.31	27.57	2.250	1,100 (500)
3x3-10	3VRS6V4		V4	36.68	41.50	30.00	17.88	72.00	9.81	9.98	3.06	33.76	2.875	1,775 (807)
5x5-14	5VRS6V5		V5	46.82	51.67	32.00	21.80	70.90	13.87	13.42	3.88	33.76	3.875	3,150 (1,432)
6x6-15	6VRS6V5		V5	46.82	51.67	32.00	25.09	73.10	15.36	14.97	5.13	37.76	3.875	3,525 (1,602)

*Weight = Weight of bare pump (no motor or discharge pipe).
For 6-foot setting dimensions, RTF.

*All dimensions in inches unless noted otherwise.
1.5" VRS available in 4 foot setting only.

Hydraulic Coverage



Locations



For more information Please Visit:
www.gouldspumps.com | www.ittproservices.com



— An ITT Brand

240 Fall Street
Seneca Falls, NY 13148
Phone: 315.568.2811
Fax: 315.568.2418
www.gouldspumps.com

© 2022 ITT Goulds Pumps Inc.

B.VRS.en-US.2022-01