

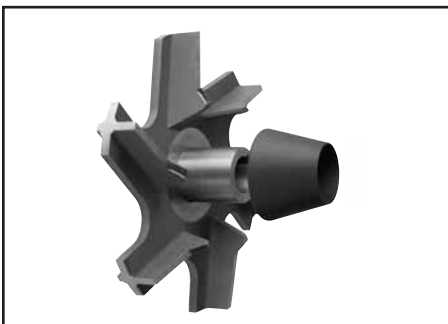
## New Products

### New Goulds Shearpeller™ Stops Pump Plugging

A problem that is especially prevalent in paper recycling mills, is pump plugging. Contaminants such as tape, plastic bands and similar debris can plug the impeller inlet and disrupt mill operations.

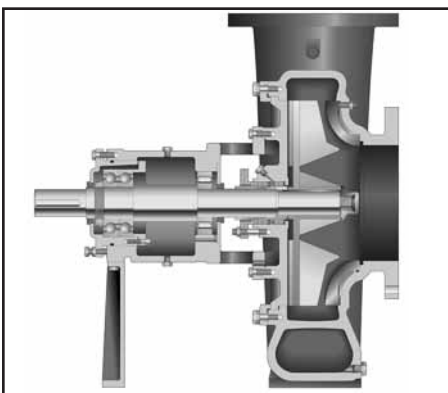
The Goulds Shearpeller solves this problem:

- **Generous front clearance** with vortex type design prevents binding and plugging.
- **Patented (# 6,609,890) tapered inlet sleeve** prevents contaminants from plugging impeller inlet area. The sleeve is loose to rotate independently from impeller. The slower rotation prevents contaminants from collecting at the impeller eye and prevents erosion of hub.



Tapered inlet sleeve helps prevent clogging.

- **Field proven in tough services** such as re-pulper dump service in OCC recycle mill. In one service, the pump went from a daily outage to clear the impeller to uninterrupted, continuous service.
- **Easy retrofit** - Only change involves the impeller and tapered inlet sleeve. Uses the same casing, sideplate, shaft and impeller nut as 3180/3185.



Cross section of paper stock pump with Shearpeller Option

## CHEMBASE™ PLUS Non-Metallic Polymer Baseplate

- 
- Riser Blocks have a counterbore allowing them to be secured to the base during motor installation and alignment.
  - Polymer motor riser blocks and stainless steel hardware for motor/pump mounting.
  - Optional bidirectional Motor Adjusters for simple, accurate alignment.
  - Baseplate flatness 0.001" per foot.
  - Integral Drip Pan.
  - Threaded leveling inserts are standard for quick, accurate baseplate leveling.
  - Standard grout hole for easy installation.
  - Foundation Bolt Holes.
  - Most bases come standard with multiple stainless steel mounting inserts suitable for various motor frame sizes.
  - Materials of Construction:
    - Zanite (Blue)
    - Novalac (Red)
  - All pump and motor inserts are Stainless steel for excellent corrosion resistance and durability. (Hast C available as option.)
  - Bases are made of a proprietary formula which combines Epoxy resins with quartz aggregate for exceptional strength, and corrosion resistance **through and through**.
  - Standard 3/4" CPVC drain connection.

### Line Extension for the ChemBasePLUS™

Goulds is pleased to announce a product line extension for the **ChemBasePLUS™**. This extension formalizes the availability of 5 new sizes, one (1) for the larger MTX and four (4) for the XLTX ANSI pumps.

With the addition of these new sizes you can now mount any group ANSI pump on a **ChemBasePLUS™**! Remember that **ChemBasePLUS™** can be used for new pump installations, field retrofits and foundation repair work. The **ChemBasePLUS** is a solid polymer concrete through and through so you will never lose the corrosion protection and never need to maintain it as long as it's there!

Advantages of the product include:

- The **ChemBasePLUS** is flat to 0.001"/ft. Compare this to conventional steel baseplates that are normally only flat to 0.005in/ft across the pump and motor pad. This translates into faster, more accurate alignment while greatly reducing any chance of soft-foot!
- The **ChemBasePLUS** is more corrosion resistant than Vinylester-based baseplates.
- Available in Zanite™ (standard) and optional Novalac, the **ChemBasePLUS** has your application covered!
- The **ChemBasePLUS** Polymer Composite construction inherently provides excellent vibration dampening. This translates to

longer seal and bearing life-lower equipment maintenance costs!

- The **ChemBasePLUS** is 30-50% heavier than conventional baseplates. It is more capable of reducing pump vibration. This translates to longer seal and bearing life-lower equipment maintenance costs!
- The **ChemBasePLUS** is more rigid than conventional metallic baseplates. This rigid construction means no warping or twisting during shipment and fewer problems on site.
- **Ease of Installation**
  - The solid design eliminates problems with air pockets or proper grout-to-base adhesion.
  - No special preparation of the underside of the baseplate is required.
  - Its rigid construction means less time is needed for leveling and less chance of soft foot.
  - Because there is no cavity to fill, it requires less grout and less time to cure. Only a single thin set of grout cuts installation time and costs greatly.
- The **ChemBasePLUS** is solid polymer through and through. Unlike painted steel baseplates which can chip causing corrosion attack.
- The **ChemBasePLUS** is a more cost effective solution compared to purchasing a regular steel baseplate with special surface preparations and far more cost effective than Stainless Steel!

Plus it offers all the above advantages as standard!